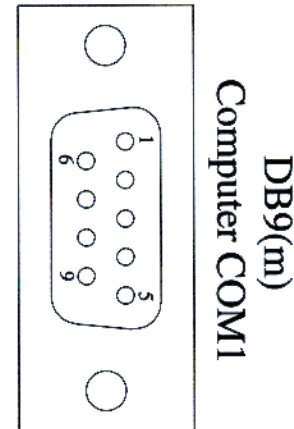
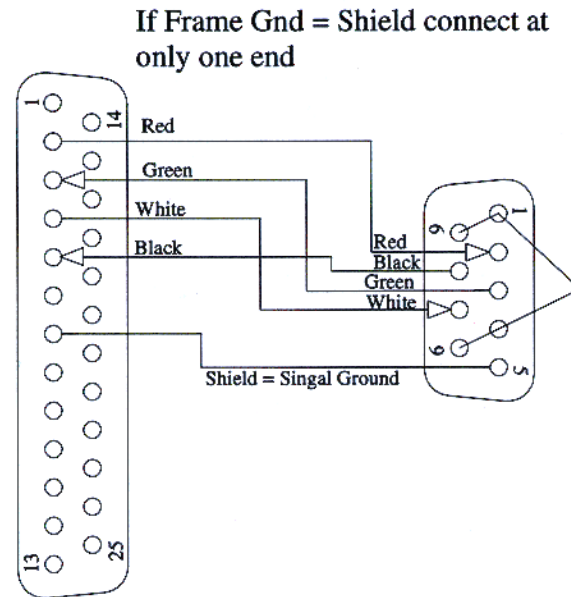
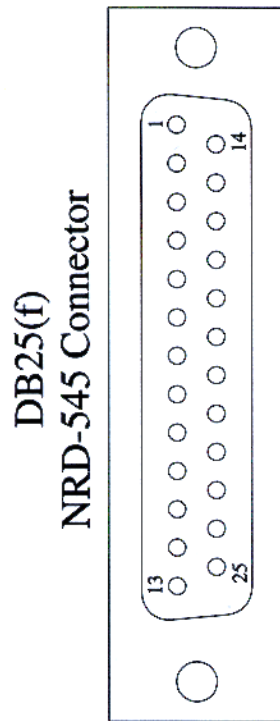


NRD-545 to PC Computer COM1

RS-232 Interface

- 1 Frame Ground
- 2 Td
- 3 Rd
- 4 RTS
- 5 CTS
- 6 DSR
- 7 Sig Gnd
- 20 DTR



- >DCD 1
- >Rx 2
- <-Tx 3
- <-DTR 4
- S Gd 5
- >DSR 6
- <-RTS 7
- >CTS 8
- >RI 9

Radio Shack

- 1 ea. Metal Sub-D Hood 276-1508 or 276-1513
- 1 ea. DB9(f) 276-1538 or 276-1538C
- 1 ea. DB25(m) 276-1547B
- 1 ea. Metalized Hood DB25 276-1536A
- 15 ft. 4 Conductor Shielded cable 276-777