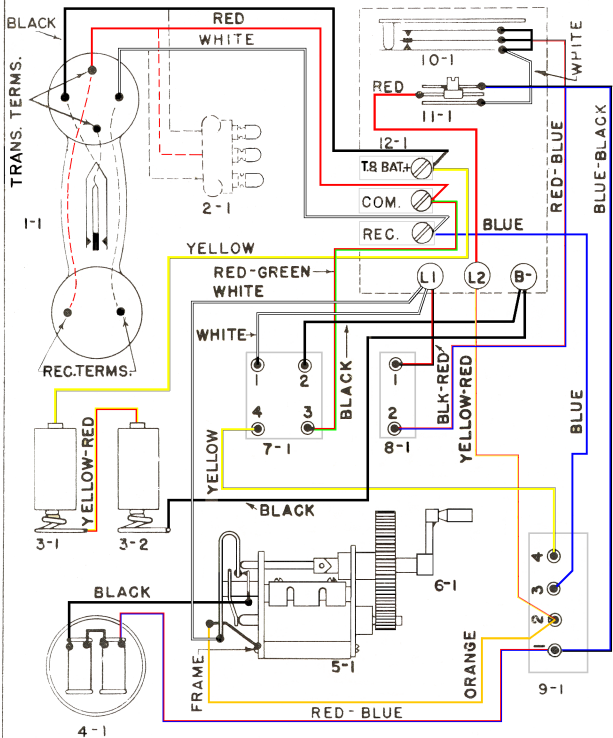


TELEPHONE EE-8-B (WIRING DIAGRAM)



APPARATUS LEGEND

REF. NO.	SIG. CPS. TYPE NO.	DESCRIPTION	QUAN.	REF. NO.	SIG. CPS. TYPE NO.	DESCRIPTION	QUAN.
1	TS-9 (-)	HANDSET	1	7	C-105	COIL (INDUCTION)	1
2	PL-58	PLUG	1	8	C-158	COIL (HOLDING)	1
3	BA-30	BATTERY	2	9	CA-355	CAPACITOR	1
4	MC-131	RINGER	1	10		LEVER SWITCH SC-D-9005	1
5	GN-38-B	GENERATOR	1	11		SCREW SWITCH SC-D-9006	1
6	GC-9	CRANK	1	12		JACK, SC-D-9003	1

* MAY BE GN-38-A

© Brooke Clarke 2003 SC-D-8995-B-1